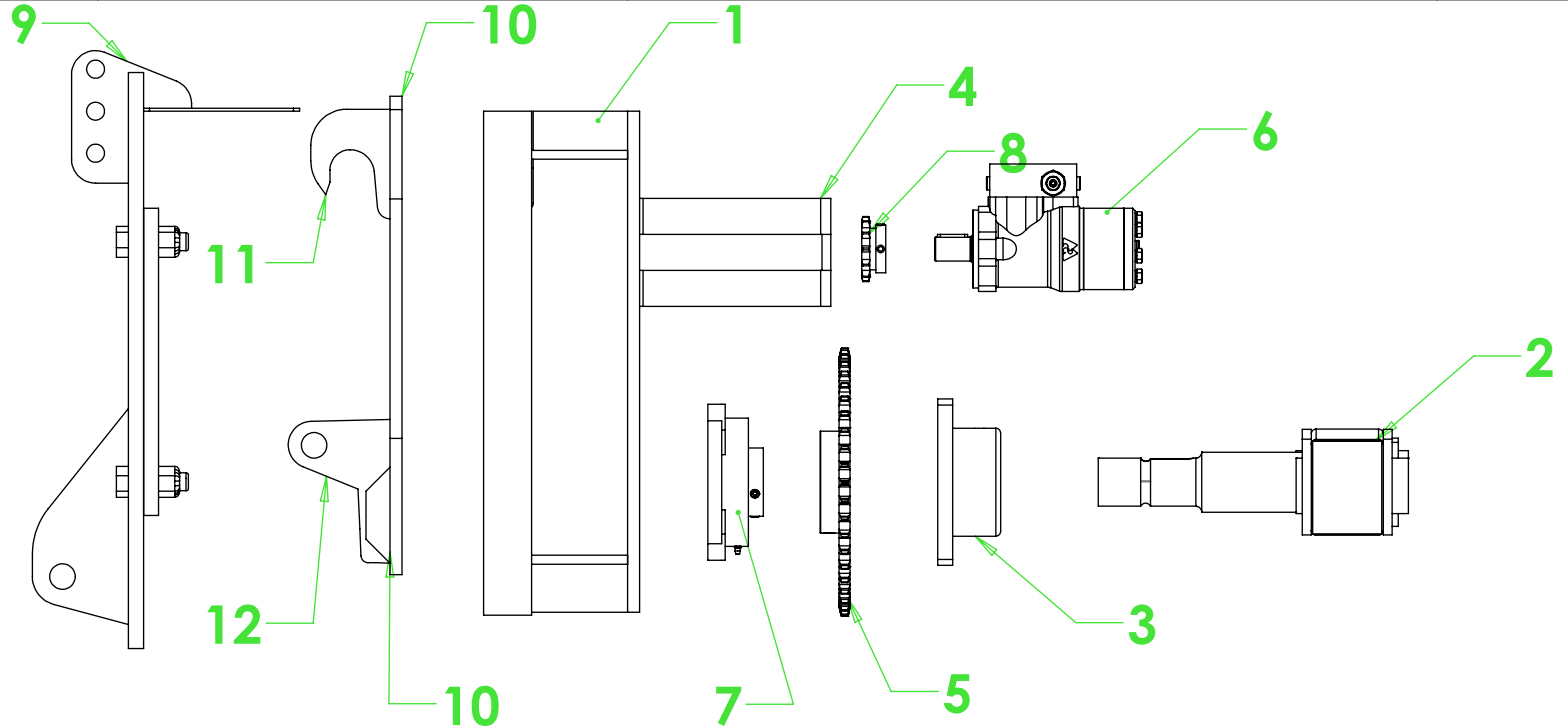


ITEM NO.	PART NUMBER	DESCRIPTION	QTY.
1	RB20W101	Main Frame	1
2	RB20W102	Shaft weldment	1
3	RB20W103	Bareing housing	1
4	RB20L109	Motor Gaurd	1
5	6236K708	50B45 Chain sprocket 2" Bore	1
6	RB20P105	MLHP315+KPDR_11	1
7	RB20P102	UCF-211-32 Ductile Iron 2" Bore	1
8	50BS12 1	50B12 RC Sprocket 1" Bore	1
9	RB3TW101	Bolt On Adjustable 3 Point Hitch	1
10	RB20L111	ALO Weld On Plate	1
11	ALWOK-2	ALO Top Hook	1
12	ALWOK-3	ALO Bottom Hook	1
13	ALWOK-4-2	ALO Bottom Hook Support	1



DO NOT SCALE DRAWING

MATERIAL:

FINISH:

PART NO.
RB20A101

REV

REV DATE:
6/29/2018

UNLESS OTHERWISE SPECIFIED
DIMENSIONS ARE IN INCHES

WEIGHT LBS:

SCALE: 1:16

A

AUTHOR:

Sheet Name:

Sheet1

PROJECT:

SHEET 1 OF 1

TITLE: Main Assembly

Streamside Industries
4181 Boomer Line
St Clements, ON NOB 2M0