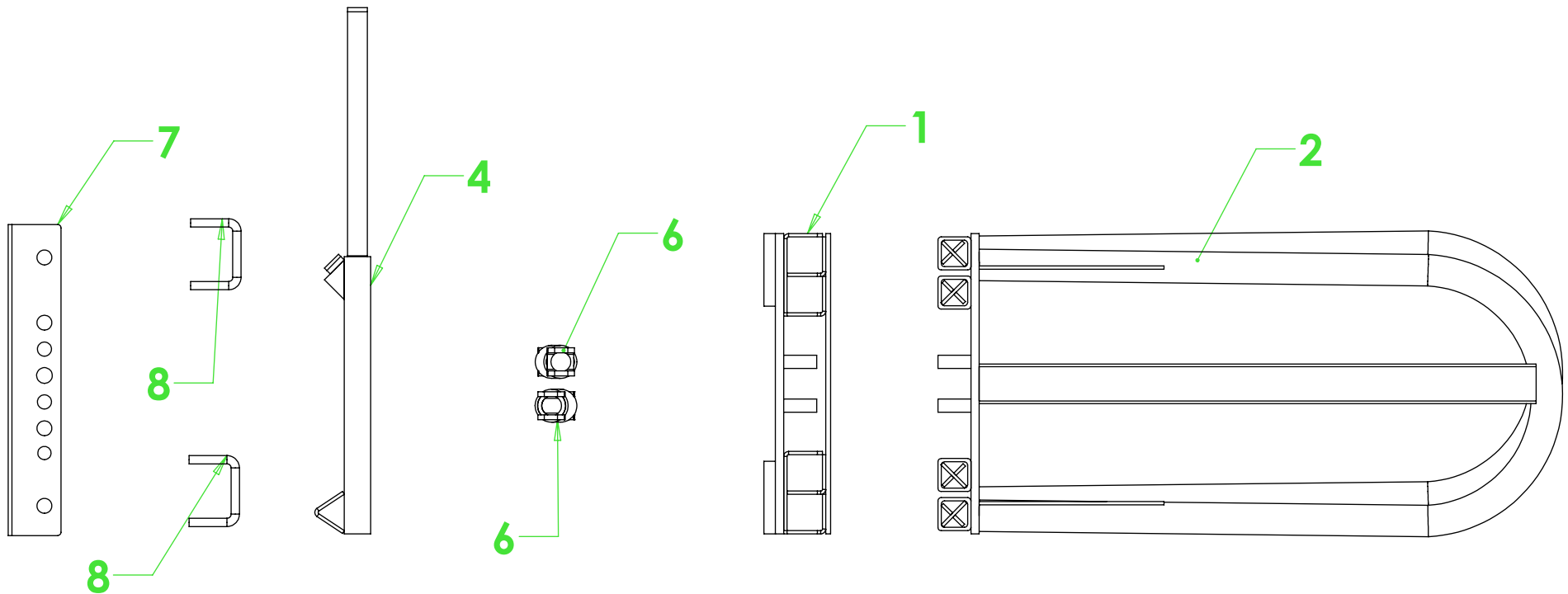


ITEM NO.	PART NUMBER	DESCRIPTION	QTY.
1	A-SBH Main Frame		1
2	A-SBH Arm		2
3	SBHWF	Frame for Bolt On Mounts	1
4	SBHSWF	Frame with skid steer Mount welded on	1
5	SBHMWF	Frame with specified Loader mount welded on	1
6	2024A101	Cylinder HCL 2024	2
7	Mounting Angle Bracket	For pin on Loader Mounts	4
8	U-Bolt	For Bolt On Mounts	



DO NOT SCALE DRAWING	MATERIAL:	FINISH:	PART NO. A-SBH-	REV A	REV DATE: 6/29/2018 AUTHOR:	Streamside Industries 4181 Boomer Line St Clements, ON NOB 2M0
UNLESS OTHERWISE SPECIFIED DIMENSIONS ARE IN INCHES	WEIGHT LBS:	SCALE: 1:32	TITLE:			
Sheet Name: Sheet1	PROJECT:	SHEET 1 OF 1				