

4

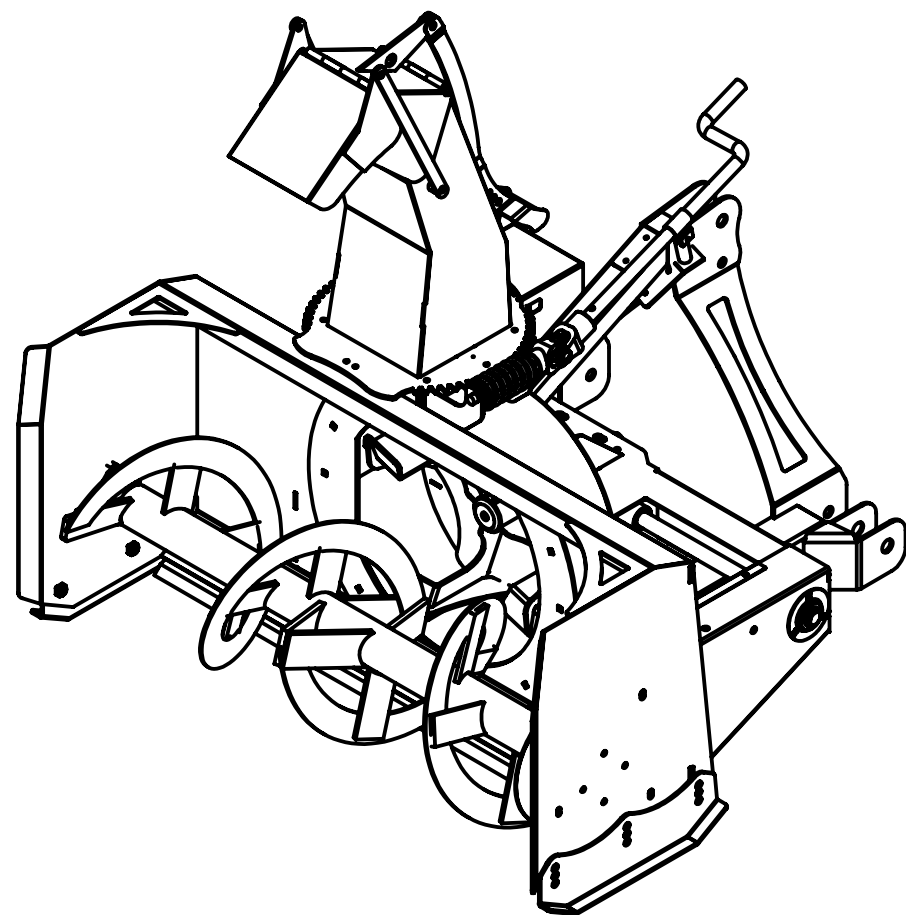
3

2

1

### NOTES

- MATERIAL: PER SUB-PARTS
- BREAK SHARP EDGES AND REMOVE BURRS DETRIMENTAL TO SAFE HANDLING
- PART TO BE FREE OF FOREIGN MATERIAL FIBERS, LOOSE BURRS, SHARP EDGES, CONTAMINANTS AND CORROSION.
- FINISH: PARTS TO BE CLEANED, DEGREASED AND PRETREATED WITH IRON PHOSPHATE COATING PRIOR TO POWDER COATING  
POWDERCOAT SUPPLIER:  
COLOUR:  
PART TO MEET ADHESION STANDARD ASTM D3359, LEVEL 4B OR BETTER  
POWDERCOAT THICKNESS: 1.5-4 MIL  
PROTECT ALL THREADS PRIOR TO POWDER COATING
- PARTS TO BE WELDED/ASSEMBLED AND WELD NUTS INSTALLED PER MANUFACTURER'S SPECIFICATIONS



### REVISION HISTORY

REV	SHT	ZONE	REASON FOR CHANGE	DATE MM/DD/YYYY	BY	CHECKED
A	1 OF 5	N/A	PRODUCTION RELEASE	12/31/2016	R. KALOCSAI	A. MARTIN

ITEM NO.	PART NUMBER	DESCRIPTION	QTY.
1	54-50W101	Main Frame	1
2	SB-50A100	CHUTE ASSEMBLY	1
3	SB-50W102	Blower Fan	1
4	54-50S102		1
5	SB-60L233	FAN HOUSING BACKING PLATE	1
6	SB-50L143	SKID PLATE LS	1
7	SB-50L142	SKID PLATE LS	1
8	60 series chute rotate	60" Snow Blower	1
9	SB-60S103	Plastic Hood Bearing	1
10	SB-50L141-copy	CHAIN GUARD	1
11	SB-60A175	TENSIONER BAR ASSY	1
12	SB-50L184-new	Manuel Adjustment	1
13	SB-60L232	BACKING PLATE	1
14	SB-50W121	LOWER SPACER, GEARBOX	2
15	54-50W103	Drive Shaft	1
16	9-281-875-20		1
17	SB-40A220	HYD MOTOR MOUNT ASSY	1
18	SBM-P-PF206-Flange	PF206 Baering Flange	2
19	SBM-P-Z25203-Bearing	UC206-20 Bearing	1
20	50-F106	SAF206-20 eccentric collar	2
21	54-50W114	AUGER WELDMENT	1
22	SB-50W150	CHAIN GUARD	1
23	precision roller chain sprocket_ai		1

**STREAMSIDE INDUSTRIES**  
4181 Boomer Line, RR#1  
St. Clements, Ontario  
NOB 2M0

ELECTRONIC SIGNATURE DOCUMENT

APPROVAL STATUS: **RELEASED TO PRODUCTION**

TITLE

**54" SNOW BLOWER**

UNLESS OTHERWISE SPECIFIED  
DIM & TOL PER ASME Y14.5M-1994  
DIMENSION ARE IN INCHES  
DECIMAL TOLERANCE  
.X ±.1  
.XX ±.01  
.XXX ±.005

ANGULAR TOLERANCE ±1°  
DRAFT ANGLE 2° MAX  
MACHINED SURFACE  
FILLET & CORNER RADII .03  
DO NOT SCALE DRAWING

DRAWN BY: R. KALOCSAI  
DATE: 12/31/2016

THIRD ANGLE PROJECTION  
  
**INCHES**

SIZE	PART NO.	DWG NO.	REV
<b>B</b>	<b>54-50A100</b>	<b>54-50A100</b>	<b>A</b>
SCALE	1:15	WEIGHT	544.582
			SHEET 1 OF 5

4

3

2

1

D

D

C

C

B

B

A

A

4

3

2

1

D

D

C

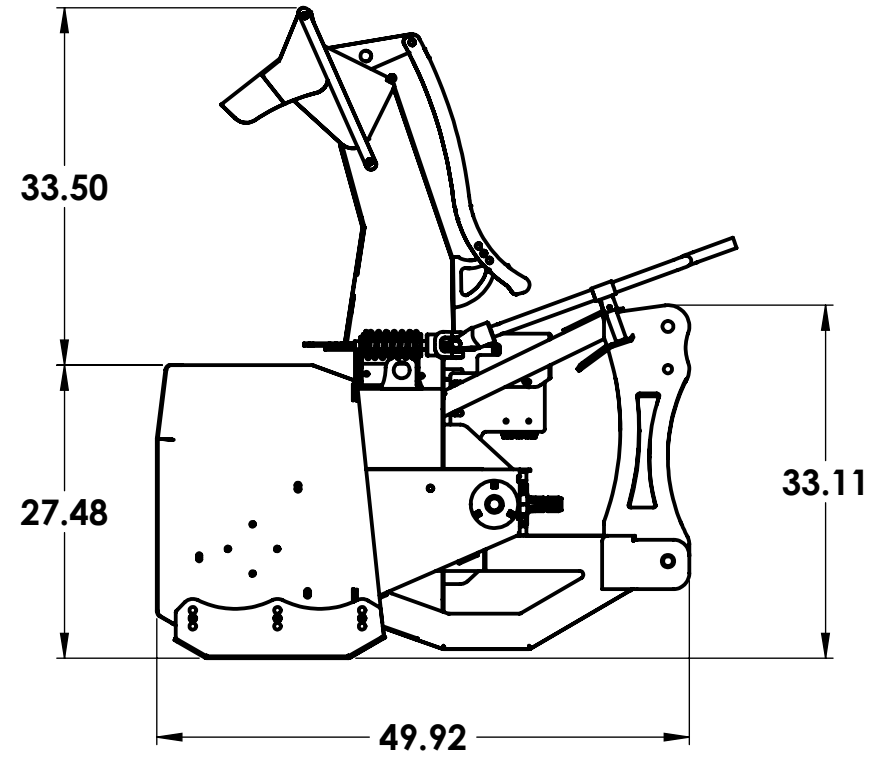
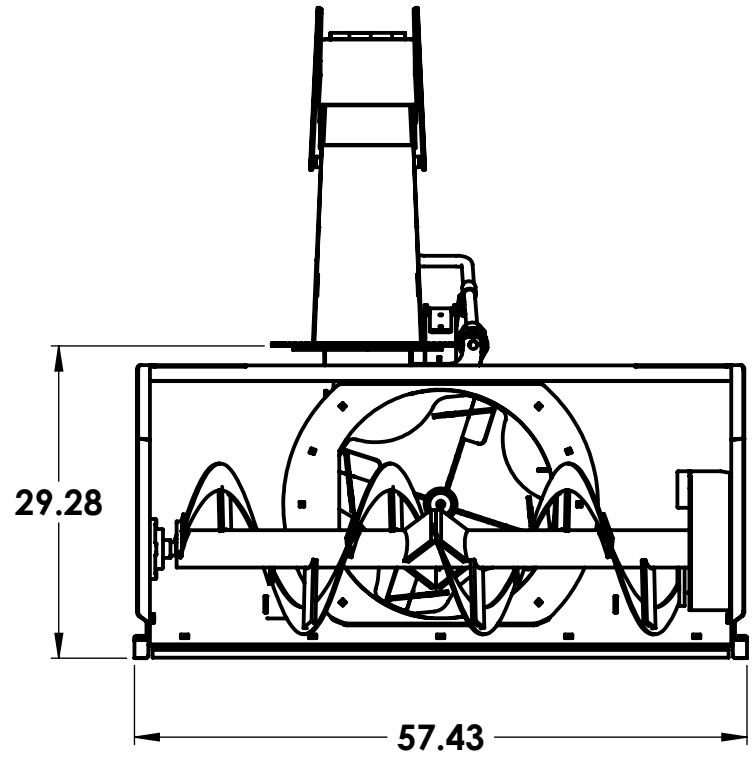
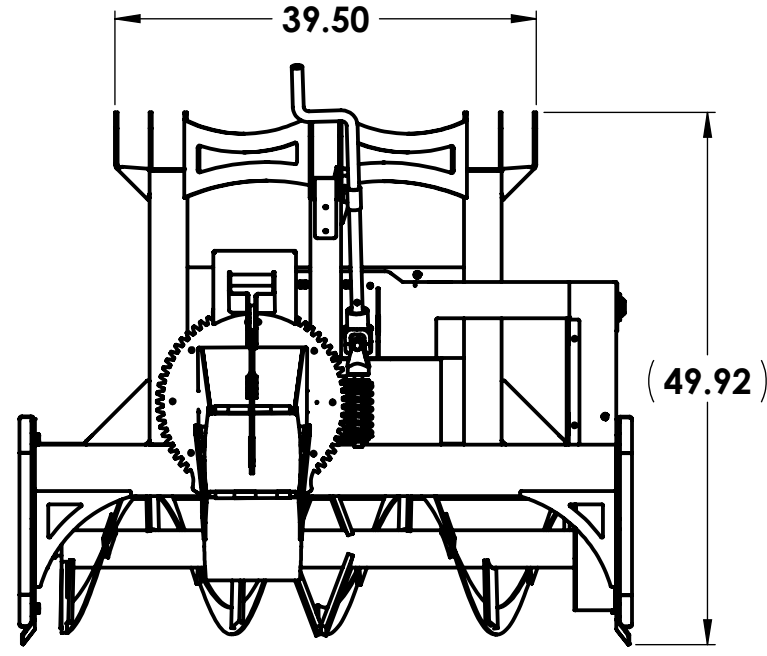
C

B

B

A

A



<b>STREAMSIDE INDUSTRIES</b> 4181 Boomer Line, RR#1 St. Clements, Ontario NOB 2M0		<i>ELECTRONIC SIGNATURE DOCUMENT</i>	
UNLESS OTHERWISE SPECIFIED DIM & TOL PER ASME Y14.5M-1994 DIMENSION ARE IN INCHES DECIMAL TOLERANCE .X ±.1 .XX ±.01 .XXX ±.005		APPROVAL STATUS: <b>RELEASED TO PRODUCTION</b>	
DRAWN BY: R. KALOCSAI DATE: 12/31/2016		TITLE <b>54" SNOW BLOWER</b>	
ANGULAR TOLERANCE ±1° DRAFT ANGLE 2° MAX MACHINED SURFACE FILLET & CORNER RADII .03 DO NOT SCALE DRAWING		THIRD ANGLE PROJECTION	
INCHES		SIZE <b>B</b>	PART NO. <b>54-50A100</b>
		DWG NO. <b>54-50A100</b>	REV <b>A</b>
		SCALE 1:18	WEIGHT 544.582
		SHEET 2 OF 5	

4

3

2

1

4

3

2

1

D

D

C

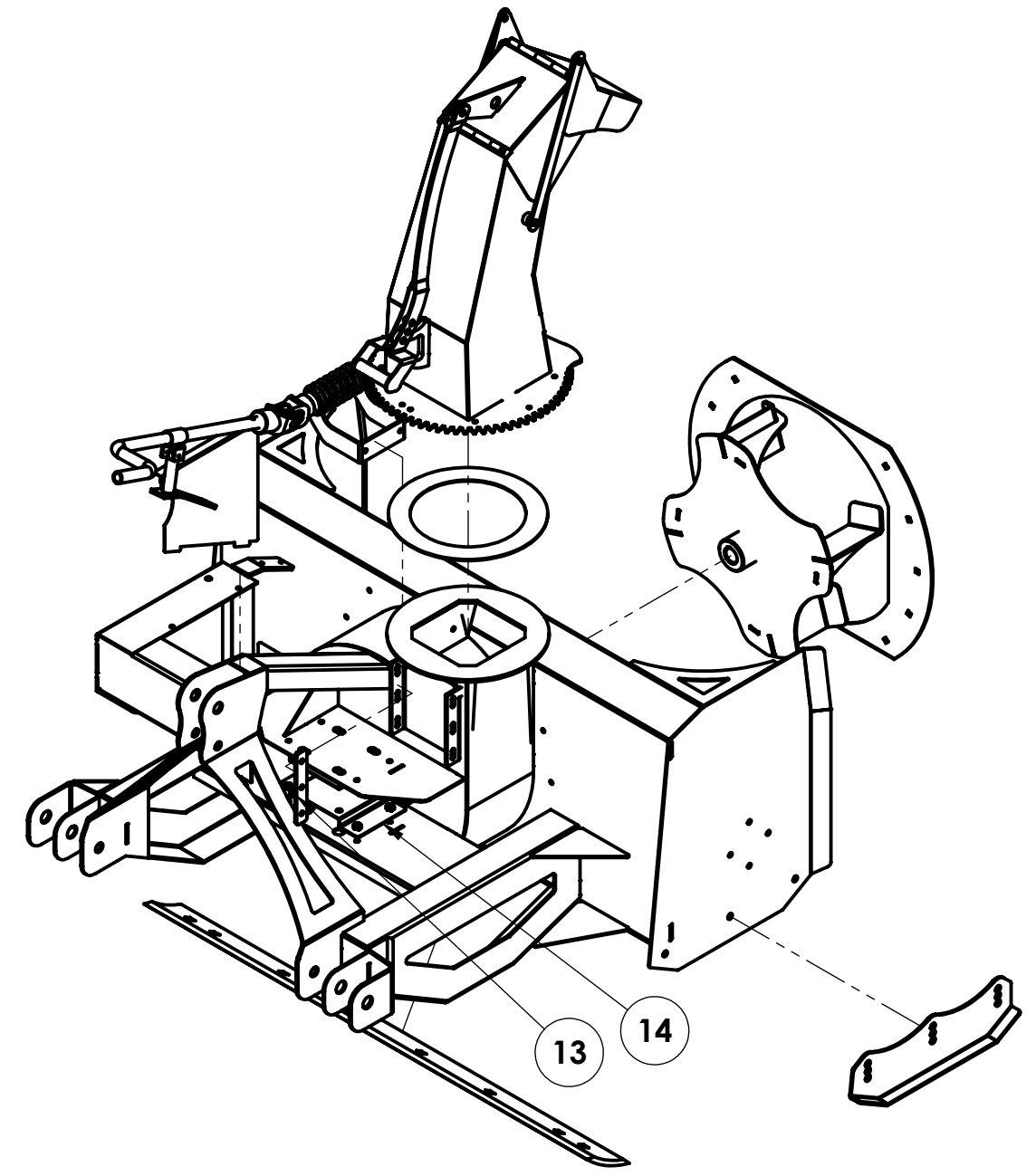
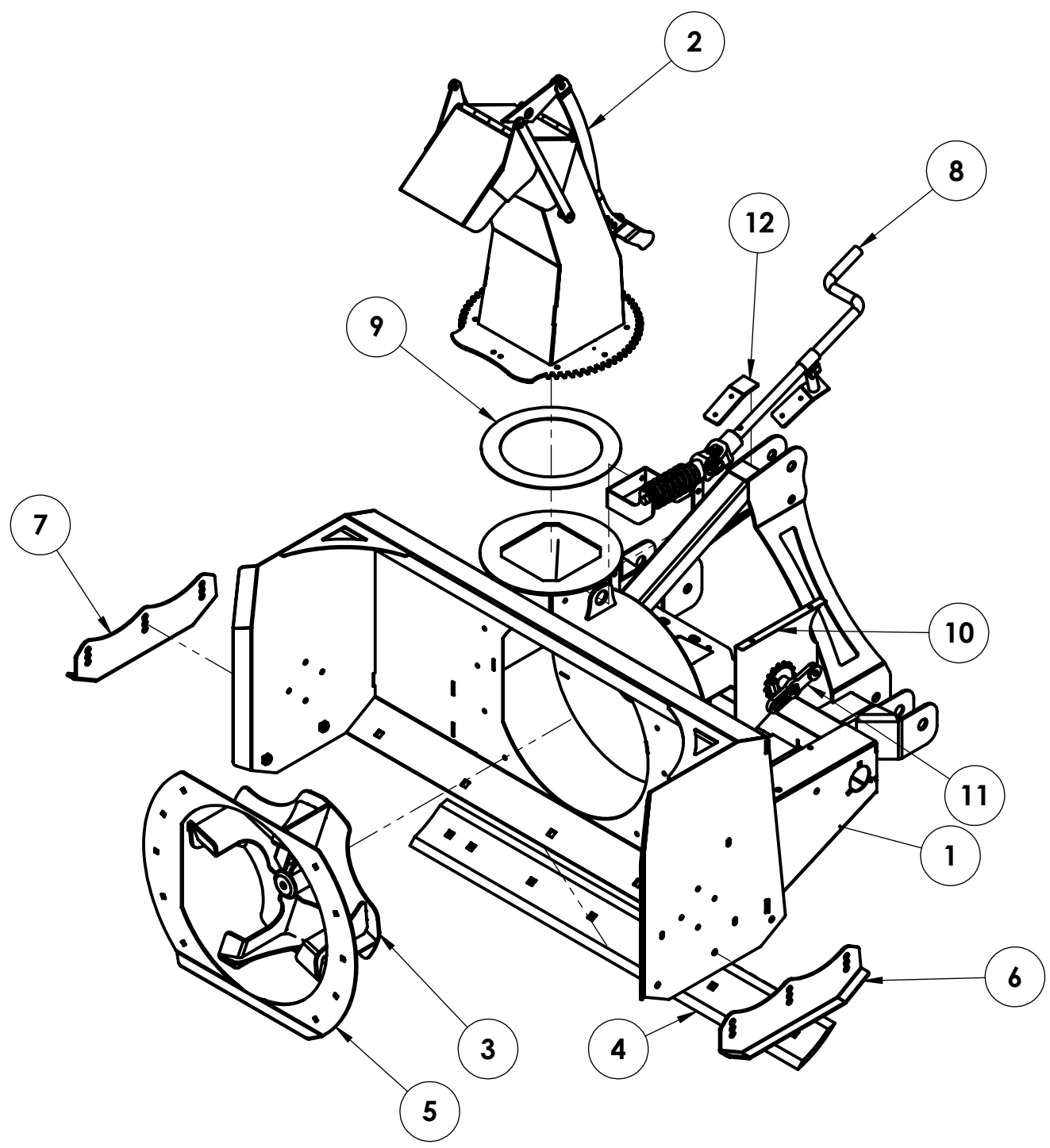
C

B

B

A

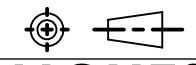
A



**STREAMSIDE INDUSTRIES**  
 4181 Boomer Line, RR#1  
 St. Clements, Ontario  
 NOB 2M0

*ELECTRONIC SIGNATURE DOCUMENT*  
**APPROVAL STATUS: RELEASED TO PRODUCTION**

UNLESS OTHERWISE SPECIFIED  
 DIM & TOL PER ASME Y14.5M-1994  
 DIMENSION ARE IN INCHES  
 DECIMAL TOLERANCE .X ±.1  
 .XX ±.01  
 .XXX ±.005  
 ANGULAR TOLERANCE ±1°  
 DRAFT ANGLE 2° MAX  
 MACHINED SURFACE  
 FILLET & CORNER RADII .03  
 DO NOT SCALE DRAWING

DRAWN BY: R. KALOCSAI DATE: 12/31/2016  
 THIRD ANGLE PROJECTION  
  
**INCHES**

TITLE			
<b>54" SNOW BLOWER</b>			
SIZE	PART NO.	DWG NO.	REV
<b>B</b>	<b>54-50A100</b>	<b>54-50A100</b>	<b>A</b>
SCALE	1:15	WEIGHT	544.582
			SHEET 3 OF 5

4

3

2

1

4

3

2

1

D

D

C

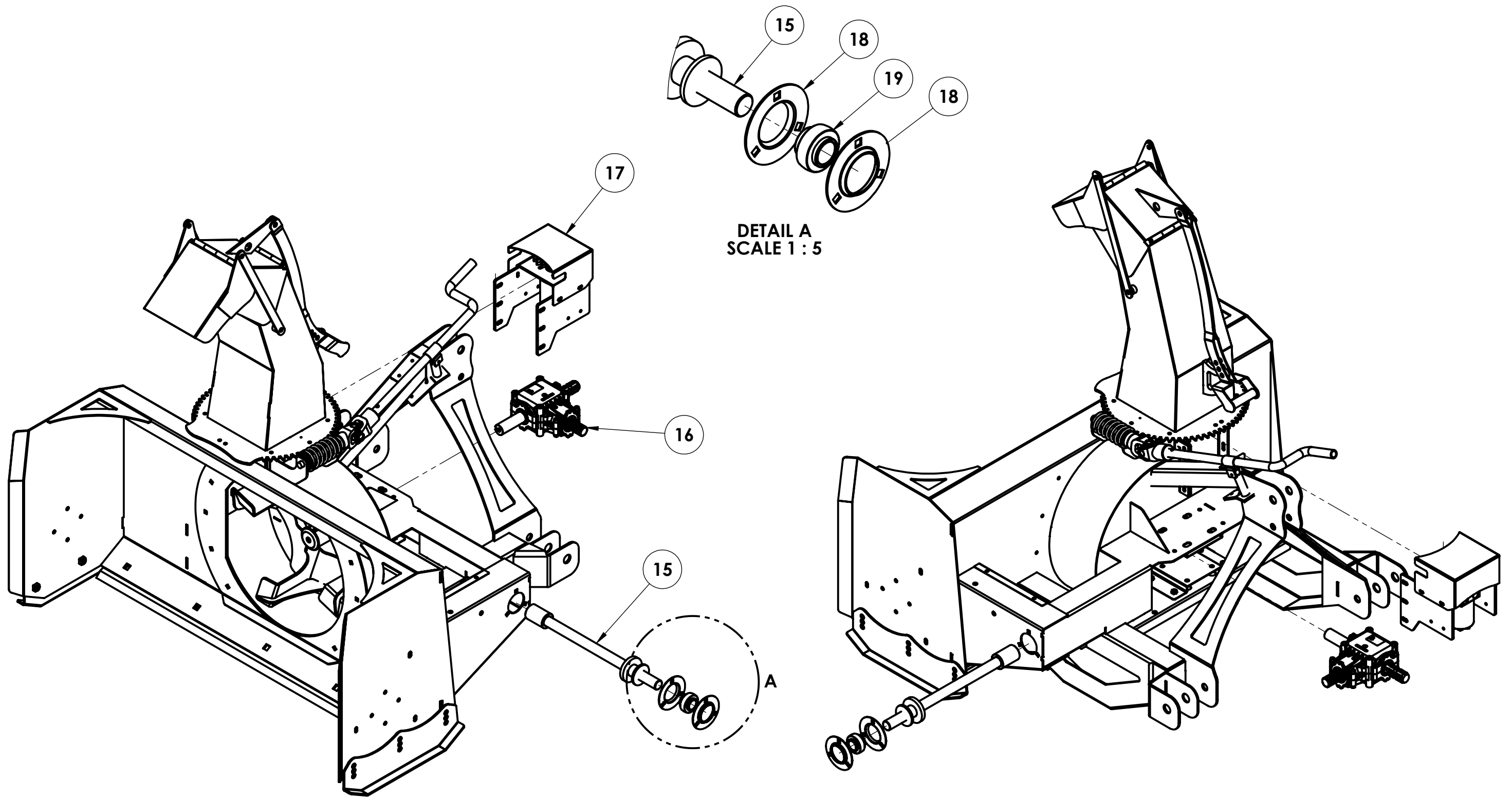
C

B

B

A

A



DETAIL A  
SCALE 1 : 5

**STREAMSIDE INDUSTRIES**  
 4181 Boomer Line, RR#1  
 St. Clements, Ontario  
 NOB 2M0

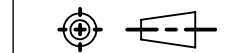
*ELECTRONIC SIGNATURE DOCUMENT*

APPROVAL STATUS: **RELEASED TO PRODUCTION**

UNLESS OTHERWISE SPECIFIED  
 DIM & TOL PER ASME Y14.5M-1994  
 DIMENSION ARE IN INCHES  
 DECIMAL TOLERANCE .X ±.1  
 .XX ±.01  
 .XXX ±.005  
 ANGULAR TOLERANCE ±1°  
 DRAFT ANGLE 2° MAX  
 MACHINED SURFACE  
 FILLET & CORNER RADII .03  
 DO NOT SCALE DRAWING

DRAWN BY: R. KALOCSAI DATE: 12/31/2016

THIRD ANGLE PROJECTION



**INCHES**

TITLE			
<b>54" SNOW BLOWER</b>			
SIZE	PART NO.	DWG NO.	REV
<b>B</b>	<b>54-50A100</b>	<b>54-50A100</b>	<b>A</b>
SCALE	1:12	WEIGHT	544.582
			SHEET 4 OF 5

4

3

2

1

4

3

2

1

D

D

C

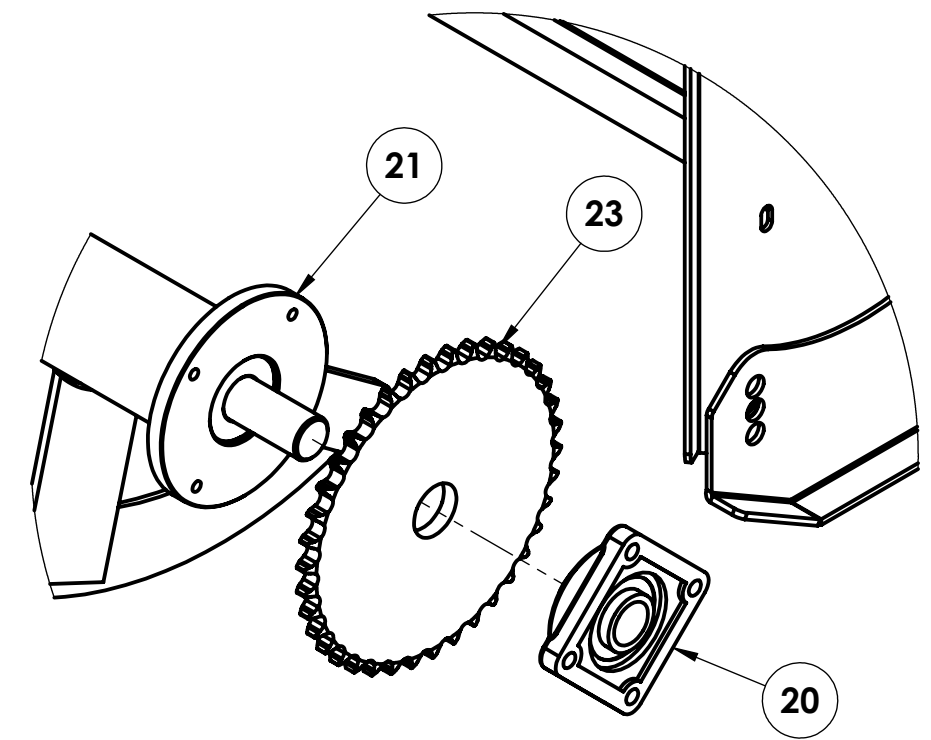
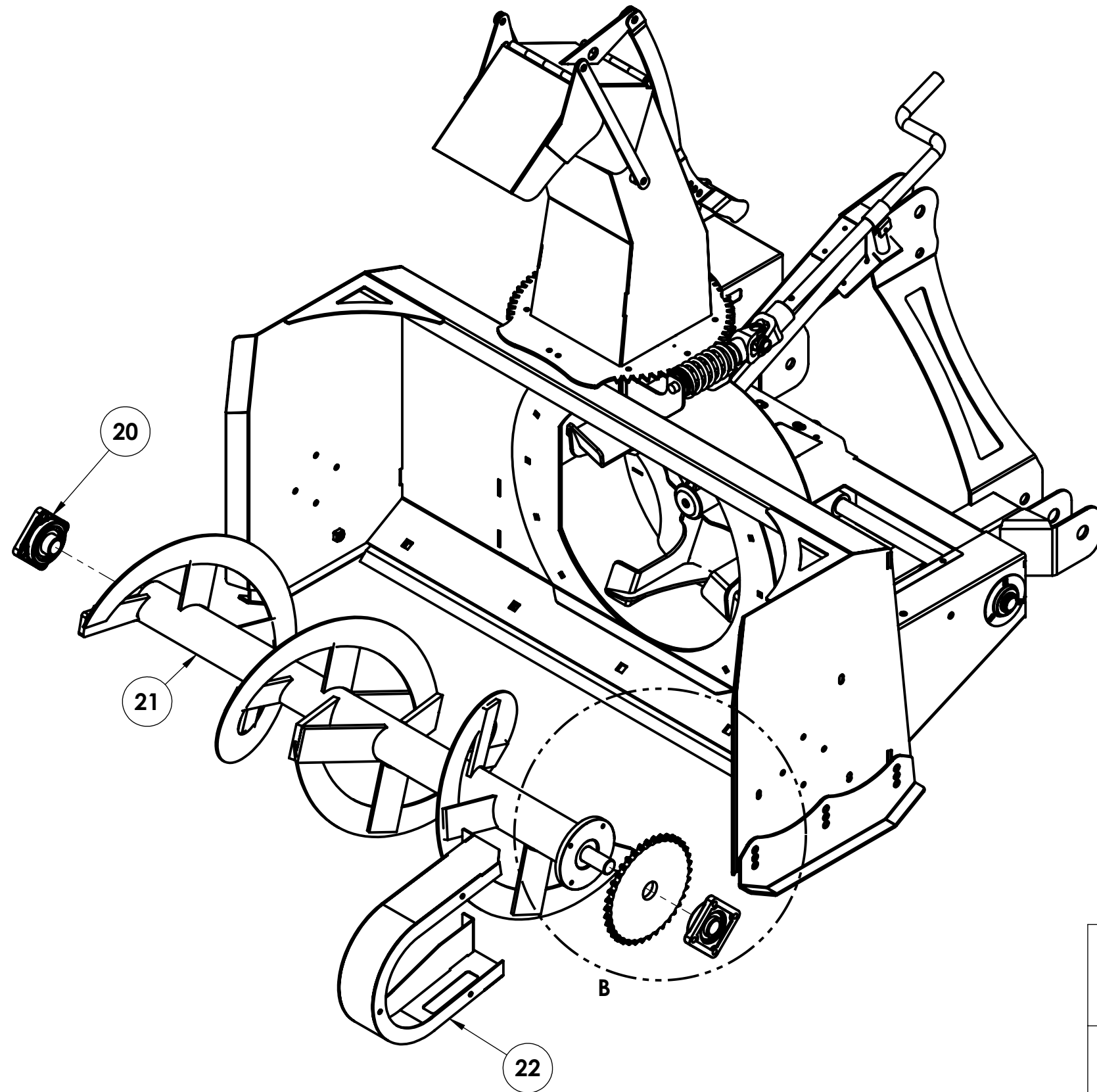
C

B

B

A

A



DETAIL B  
SCALE 1 : 5

**STREAMSIDE INDUSTRIES**  
4181 Boomer Line, RR#1  
St. Clements, Ontario  
NOB 2M0

*ELECTRONIC SIGNATURE DOCUMENT*

APPROVAL STATUS: **RELEASED TO PRODUCTION**

TITLE

**54" SNOW BLOWER**

UNLESS OTHERWISE SPECIFIED  
DIM & TOL PER ASME Y14.5M-1994  
DIMENSION ARE IN INCHES  
DECIMAL TOLERANCE .X ±.1  
.XX ±.01  
.XXX ±.005  
ANGULAR TOLERANCE ±1°  
DRAFT ANGLE 2° MAX  
MACHINED SURFACE  
FILLET & CORNER RADII .03  
DO NOT SCALE DRAWING

DRAWN BY: **R. KALOCSAI** DATE: 12/31/2016  
THIRD ANGLE PROJECTION  
  
**INCHES**

SIZE <b>B</b>	PART NO. <b>54-50A100</b>	DWG NO. <b>54-50A100</b>	REV <b>A</b>
SCALE 1:10	WEIGHT 544.582	SHEET 5 OF 5	

4

3

2

1