

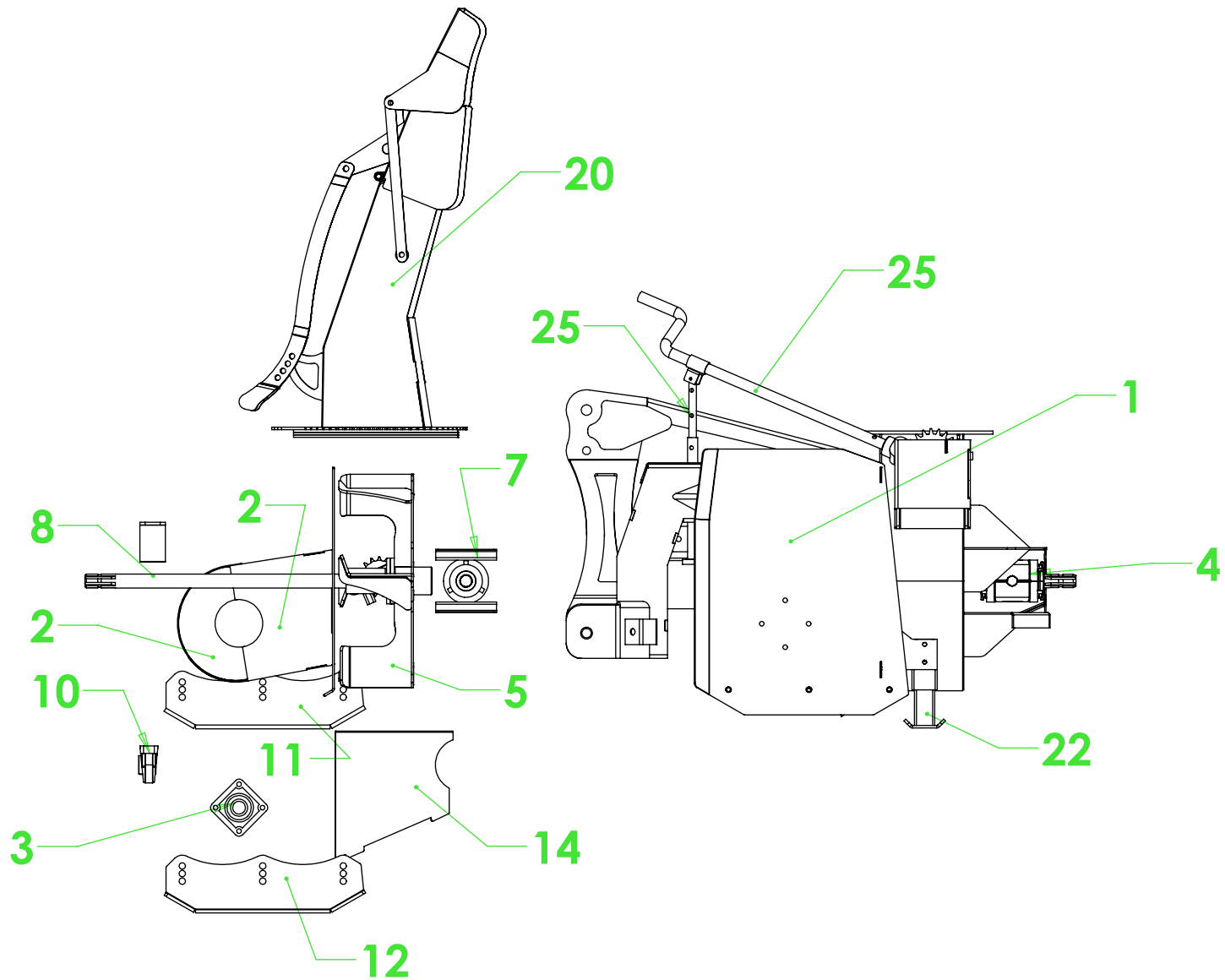
ITEM NO.	PART NUMBER	DESCRIPTION	QTY.
1	54-50W300	54 Inch SB Weldment	1
2	SB-50W250	CHAIN GUARD	1
3	50-F106	Bearing	2
4	9-281-875-20	Gear Box	1
5	SB-50W302	Blower Fan	1
6	SB-50L446		1
7	SB-50L413		2
8	SB-50W201		1
9	SB-55L412		1
10	SYWK 1.3_8 YTA		1
11	SB-50L142	SKID PLATE LS	1
12	SB-50L143	SKID PLATE LS	1
13	SB-61L233	FAN HOUSING BACKING PLATE	1
14	SB-51L141	CHAIN GUARD	1
15	68-51W103	Drive Shaft	1
16	SB-60A175	TENSIONER BAR ASSY	1
17	SBM-P-PF206-Flange	PF206 Baering Flange	2
18	SBM-P-Z25203-Bearing	UC206-20 Bearing	1
19	SB-60S103	Plastic Hood Bearing	1
20	SB-51A100	CHUTE ASSEMBLY	1
21	54-50W114	54 Inch Auger Weldment	1
22	SB-00A120	Stand	2
23	SB-40A220	HYD MOTOR MOUNT ASSY	1
24	SB51W101		1
25	102-70A300 with manual crank	102" Snow Blower	1

DO NOT SCALE DRAWING	MATERIAL:	FINISH:
UNLESS OTHERWISE SPECIFIED DIMENSIONS ARE IN INCHES	WEIGHT LBS:	SCALE: 1:48
Sheet Name: Sheet1	PROJECT:	SHEET 1 OF 6

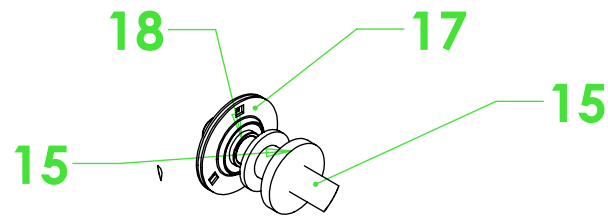
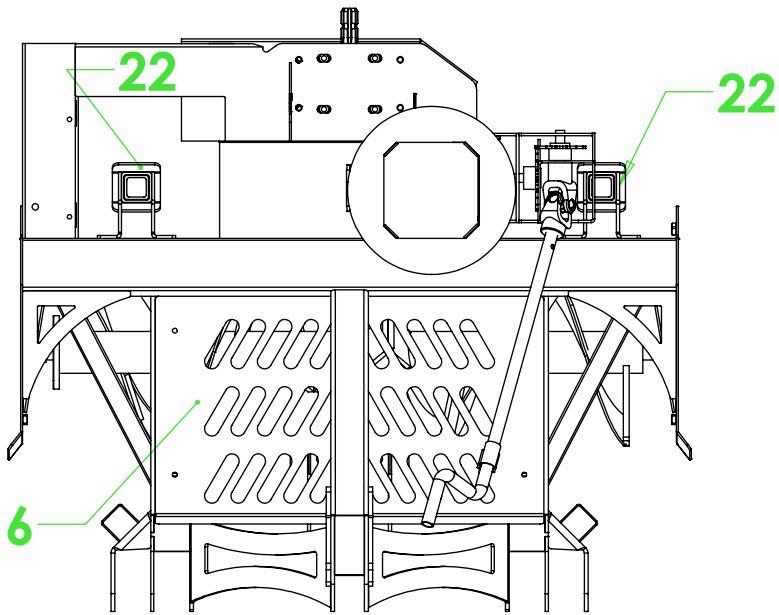
PART NO. 54-50A300
TITLE:

REV	REV DATE: 2/2/2021
A	AUTHOR:

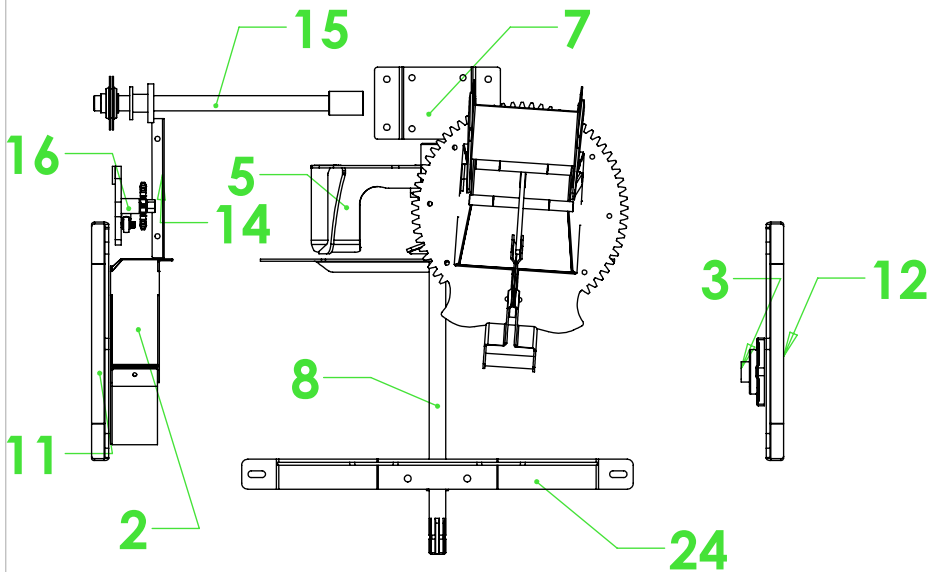
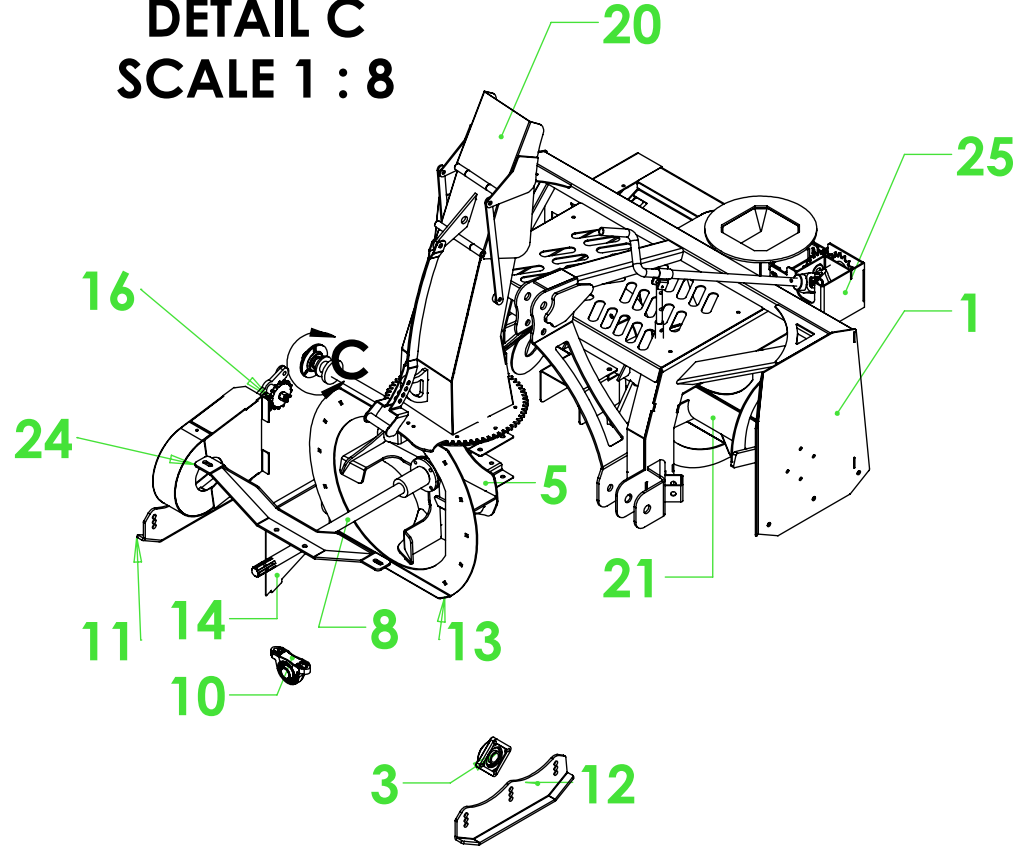
Streamside Industries
4181 Boomer Line
St Clements, ON NOB 2M0



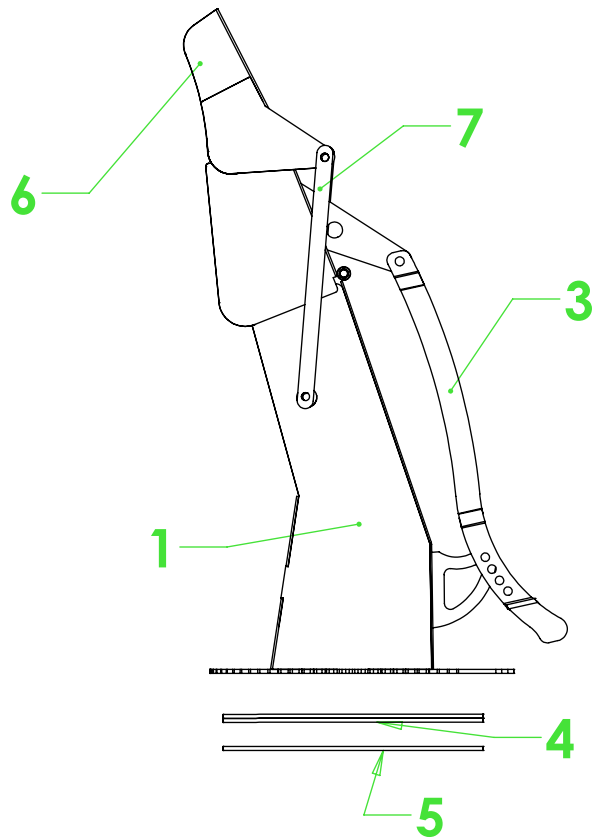
DO NOT SCALE DRAWING	MATERIAL:	FINISH:	PART NO. 54-50A300	REV A	REV DATE: 2/2/2021 AUTHOR:	Streamside Industries 4181 Boomer Line St Clements, ON NOB 2M0
UNLESS OTHERWISE SPECIFIED DIMENSIONS ARE IN INCHES	WEIGHT LBS:	SCALE: 1:48	TITLE:			
Sheet Name: Sheet2	PROJECT:	SHEET 2 OF 6				



**DETAIL C
SCALE 1 : 8**



DO NOT SCALE DRAWING	MATERIAL:	FINISH:	PART NO. 54-50A300	REV A	REV DATE: 2/2/2021 AUTHOR:	Streamside Industries 4181 Boomer Line St Clements, ON N0B 2M0
UNLESS OTHERWISE SPECIFIED DIMENSIONS ARE IN INCHES	WEIGHT LBS:	SCALE: 1:48	TITLE:			
Sheet Name: Sheet3	PROJECT:	SHEET 3 OF 6				



ITEM NO.	PART NUMBER	DESCRIPTION	QTY.
1	SB-50W116		1
3	SB-50W109		1
4	SB-50L209	HOOD MOUNT	4
5	SB-50L210	HOOD RETAINER	2
6	SB-50A116		1
7	SB-50L103	LINK	2

DO NOT SCALE DRAWING

MATERIAL:

FINISH:

PART NO.

REV
A_A

REV DATE:
2/2/2021

AUTHOR:

UNLESS OTHERWISE SPECIFIED
DIMENSIONS ARE IN INCHES

WEIGHT LBS:

SCALE: 1:48

SB-51A100

Sheet Name:

Sheet6

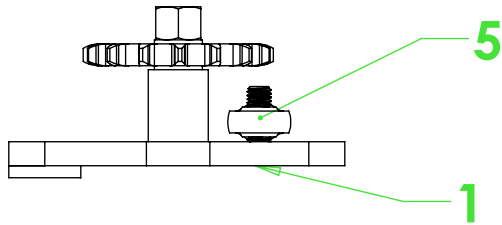
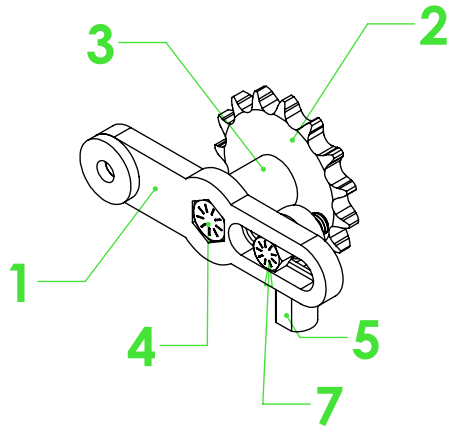
PROJECT:

SHEET 4 OF 6

TITLE: CHUTE ASSEMBLY

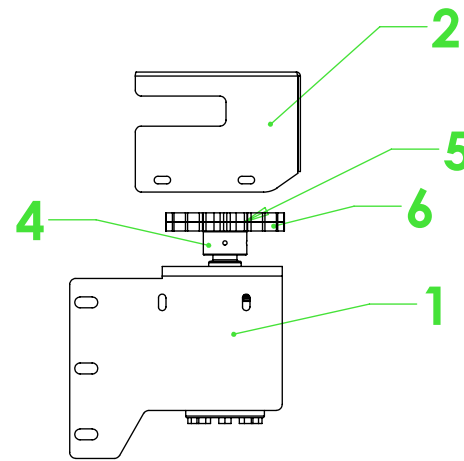
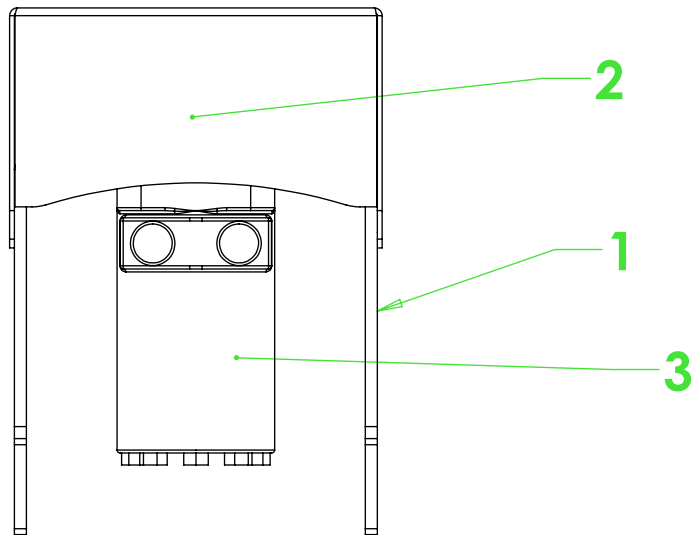
Streamside Industries
4181 Boomer Line
St Clements, ON NOB 2M0

ITEM NO.	PART NUMBER	DESCRIPTION	QTY.
1	SB-00L176	TENSIONER BAR	1
2	60-0.75P1ST15T15SB1H.625L0.6250N		1
3	SB-00M178	TENSIONER SPACER	1
4	90201A536	Cap Screw 5/8"-11 x 2.5"	1
5	60645K361	BALL JOINT ROD END	1
7	90201A416	Cap Screw 1/2"-13 x 1.25"	1



DO NOT SCALE DRAWING	MATERIAL:	FINISH:	PART NO. SB-60A175	REV AA	REV DATE: 2/2/2021	Streamside Industries 4181 Boomer Line St Clements, ON NOB 2M0
UNLESS OTHERWISE SPECIFIED DIMENSIONS ARE IN INCHES	WEIGHT LBS:	SCALE: 1:48	TITLE: TENSIONER BAR ASSY	AUTHOR:		
Sheet Name: Sheet7	PROJECT:	SHEET 5 OF 6				

ITEM NO.	PART NUMBER	DESCRIPTION	QTY.
1	SB-48I180	Hyd Motor Mount	1
2	SB-48I181	Gear Shield	1
3	Eagle BMPH-200-H4-R-S	Eagle Hyd. Motor 4 Bolt	1
4	SBM-P-W1.000SproHub	W1.000" Hub	1
5	SB-48I216	Drive Gear	1
6	SB-48I224	Drive Gear	1



DO NOT SCALE DRAWING	MATERIAL:	FINISH:	PART NO. SB-40A220	REV A	REV DATE: 2/2/2021 AUTHOR:	Streamside Industries 4181 Boomer Line St Clements, ON NOB 2M0
UNLESS OTHERWISE SPECIFIED DIMENSIONS ARE IN INCHES	WEIGHT LBS:	SCALE: 1:48	TITLE: HYD MOTOR MOUNT ASSY			
Sheet Name: Sheet9	PROJECT:	SHEET 6 OF 6				